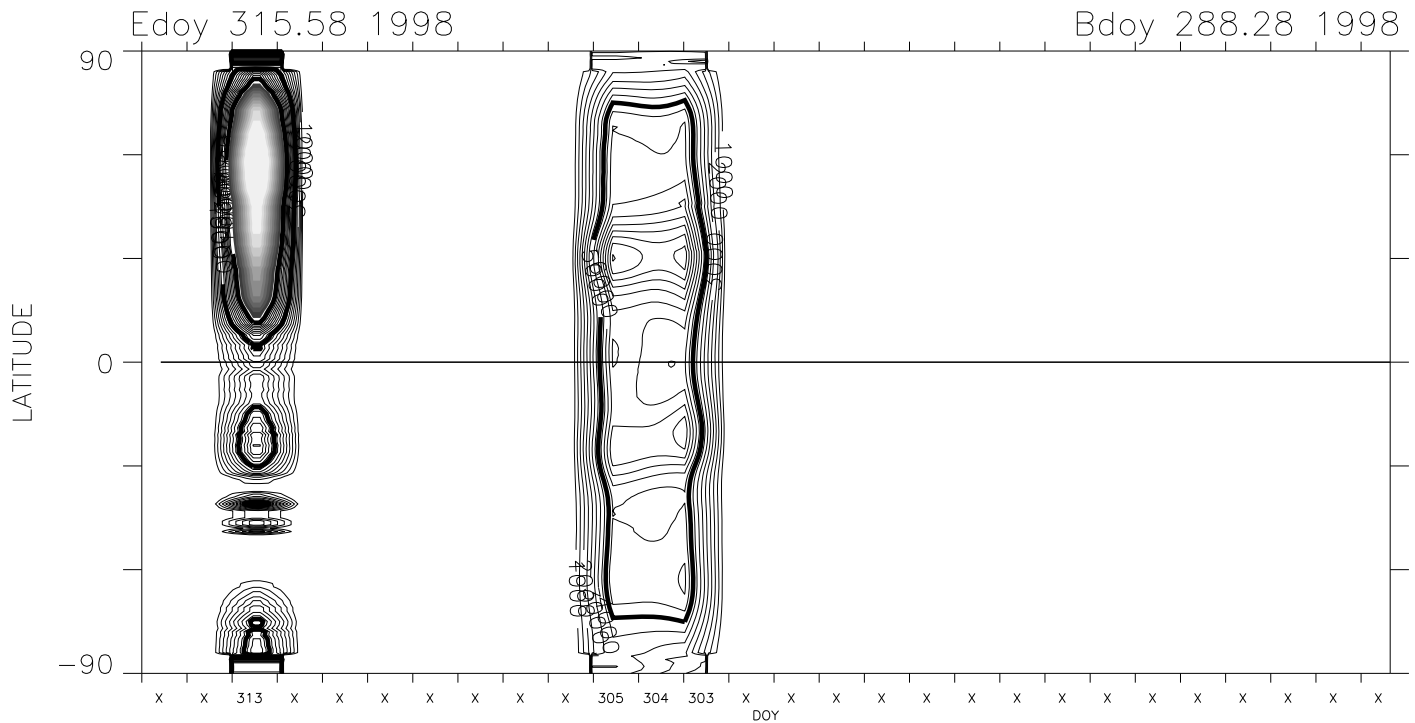
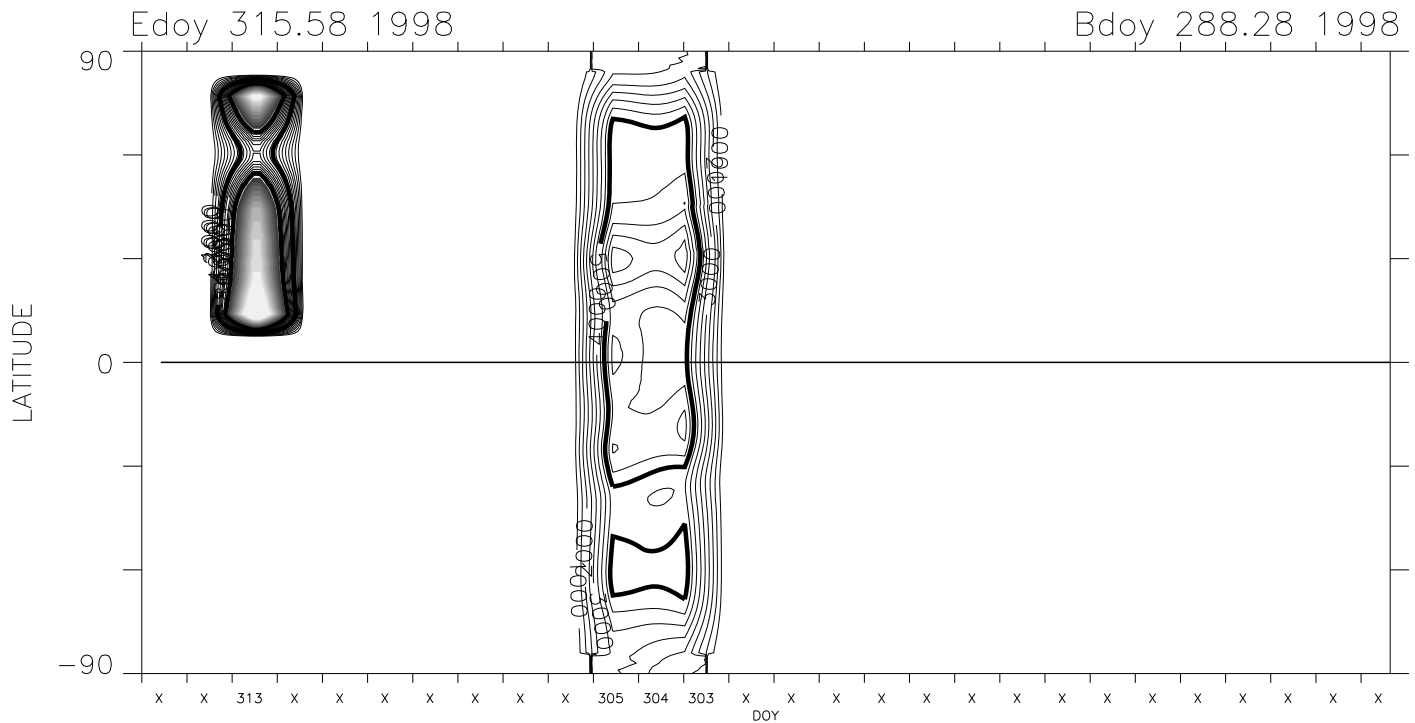


# Carrington Rotation 1942 Mk4 East limb

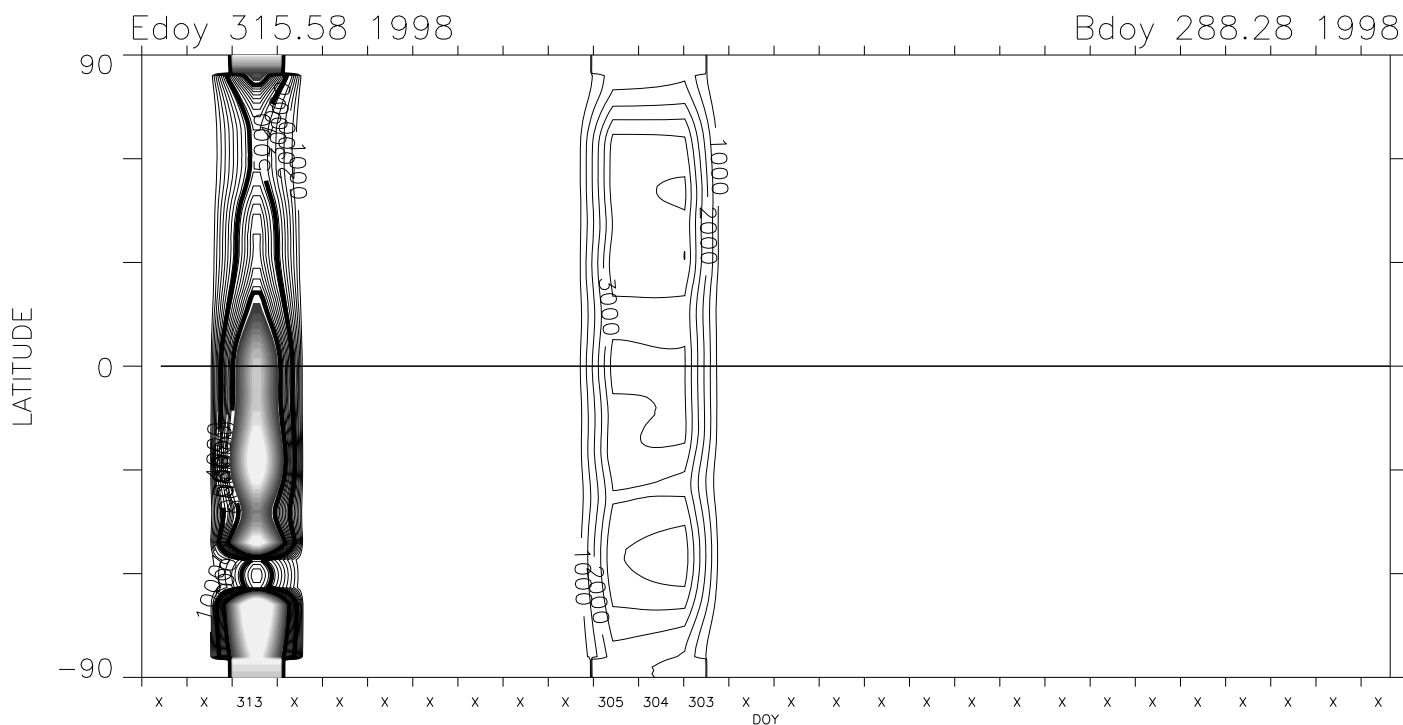


1.15 R<sub>sun</sub> version 1 cal + Feb 2002 opal cor. pB units : 1.0e-10 B<sub>sun</sub>

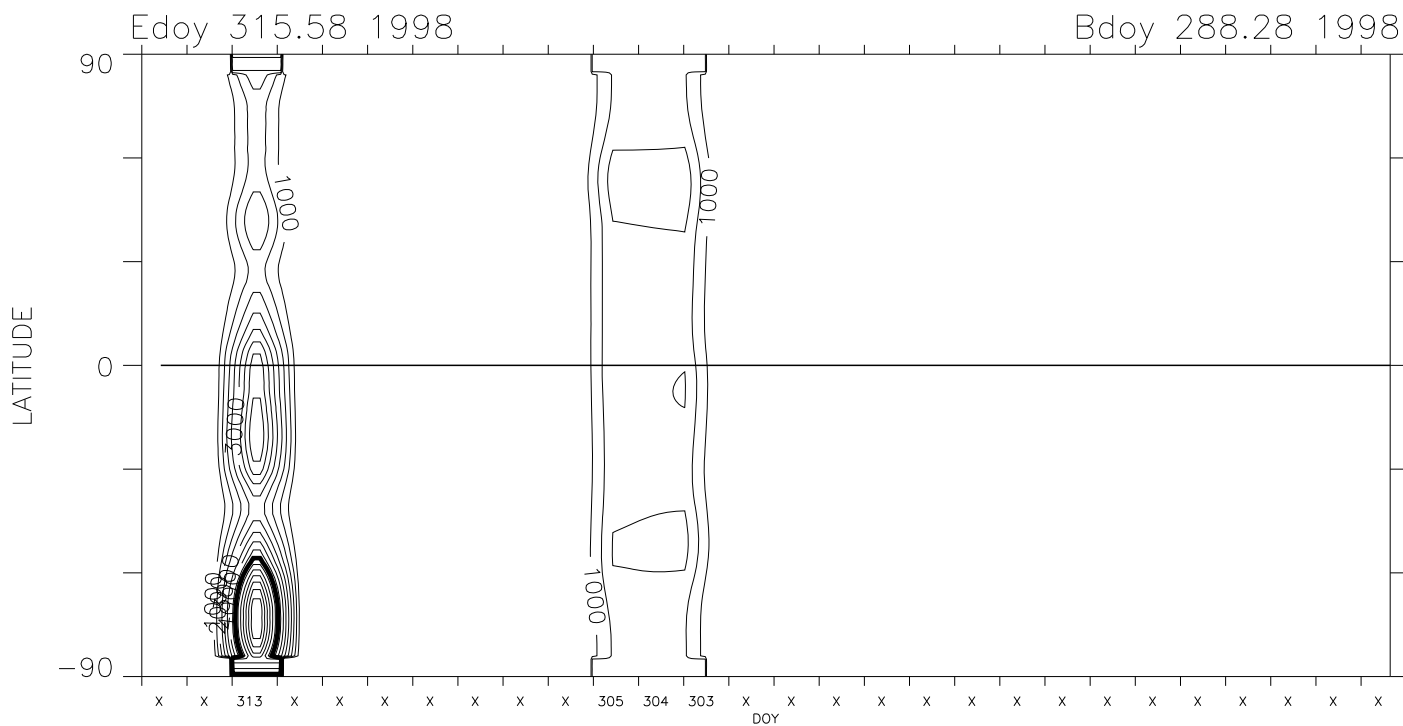


1.20 R<sub>sun</sub> version 1 cal + Feb 2002 opal cor. pB units : 1.0e-10 B<sub>sun</sub>

# Carrington Rotation 1942 Mk4 East limb



1.36 R<sub>sun</sub> version 1 cal + Feb 2002 opal cor. pB units : 1.0e-10 B<sub>sun</sub>



1.74 R<sub>sun</sub> version 1 cal + Feb 2002 opal cor. pB units : 1.0e-10 B<sub>sun</sub>