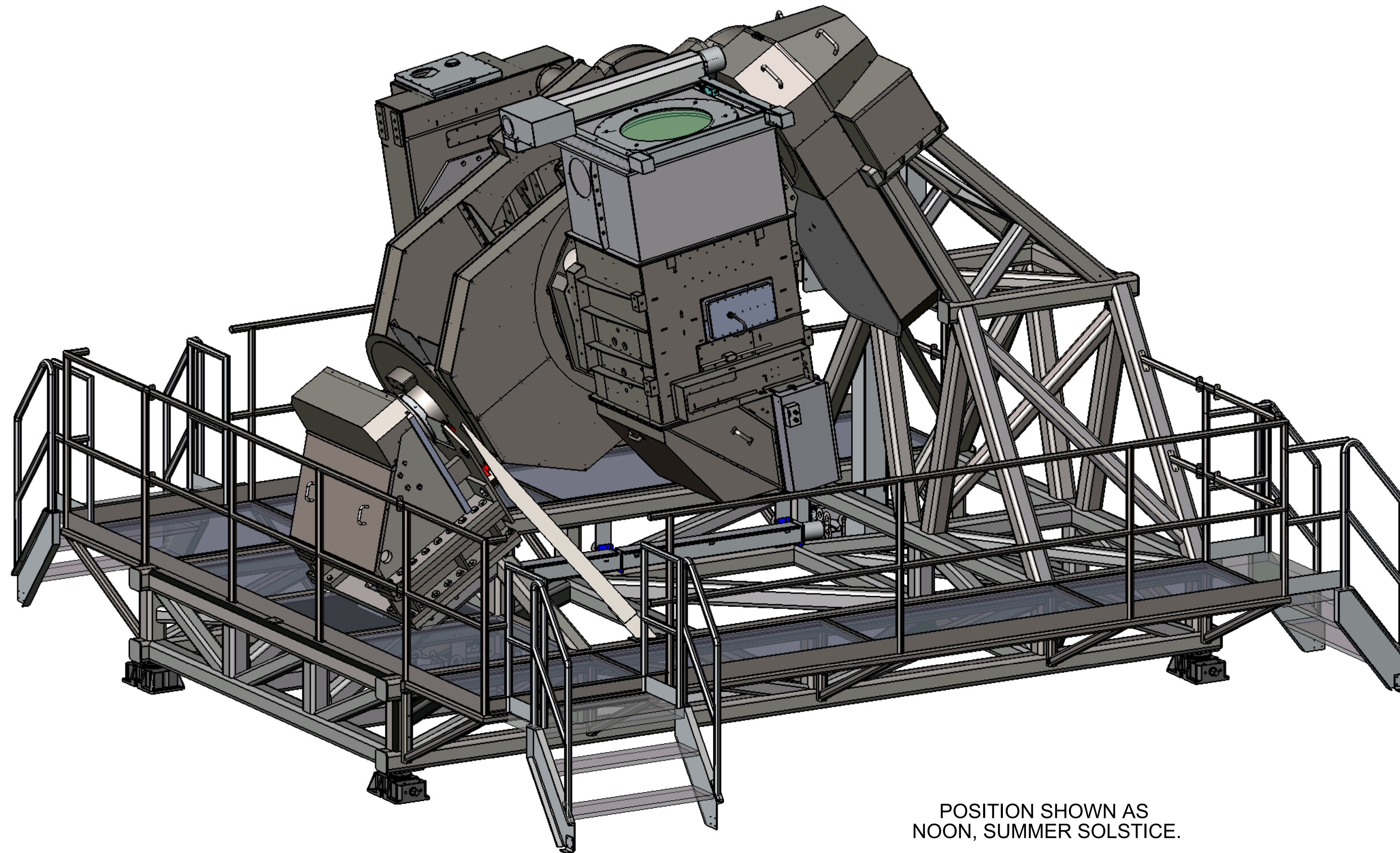


NOTES: UNLESS OTHERWISE SPECIFIED:

1. DIMENSIONING AND TOLERANCE PER ASME Y14.5M 2009.
- 2.

REVISIONS						
ZONE	REV.	ITEM	DESCRIPTION	BY	DATE	APV.BY



POSITION SHOWN AS NOON, SUMMER SOLSTICE.

QUANTITY: 1

NSO
National Solar Observatory

PROPRIETARY AND CONFIDENTIAL
THE INFORMATION CONTAINED
HEREIN IS UNCLASSIFIED
EXCEPT WHERE SHOWN
OTHERWISE. ANY REPRODUCTION
OR TRANSMISSION OF THIS
INFORMATION WITHOUT THE
WRITTEN PERMISSION OF THE
NATIONAL SOLAR OBSERVATORY
IS PROHIBITED.

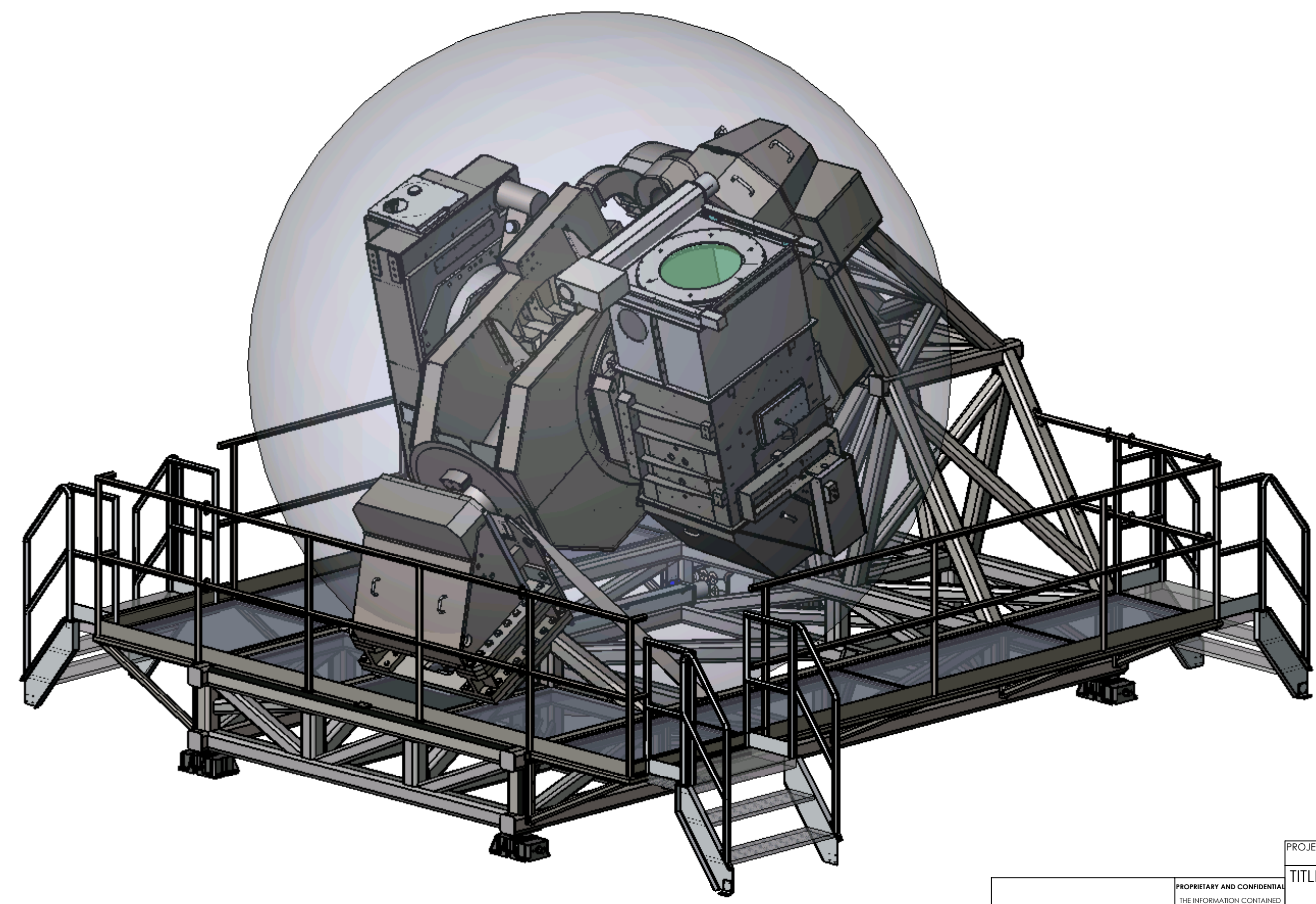
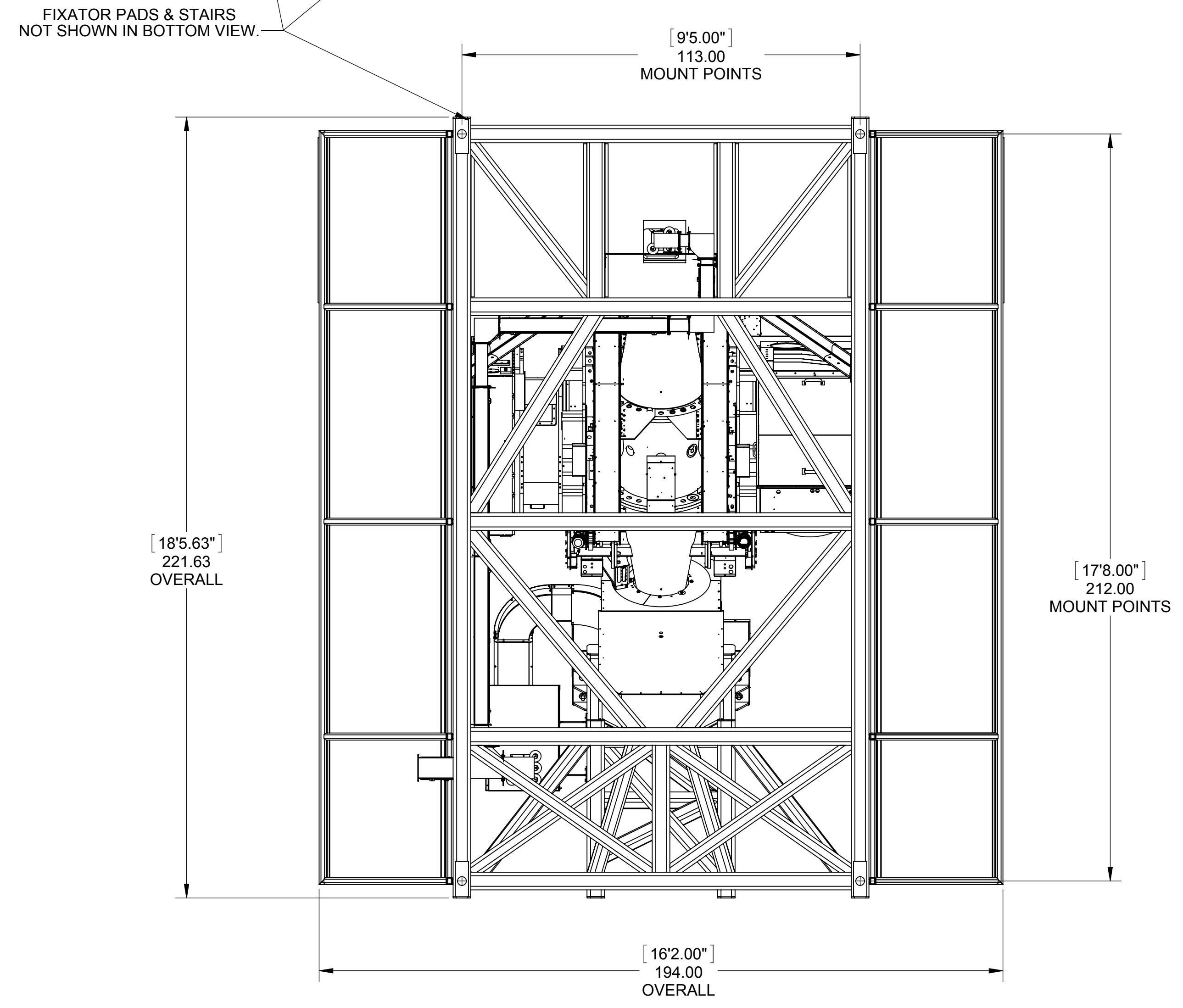
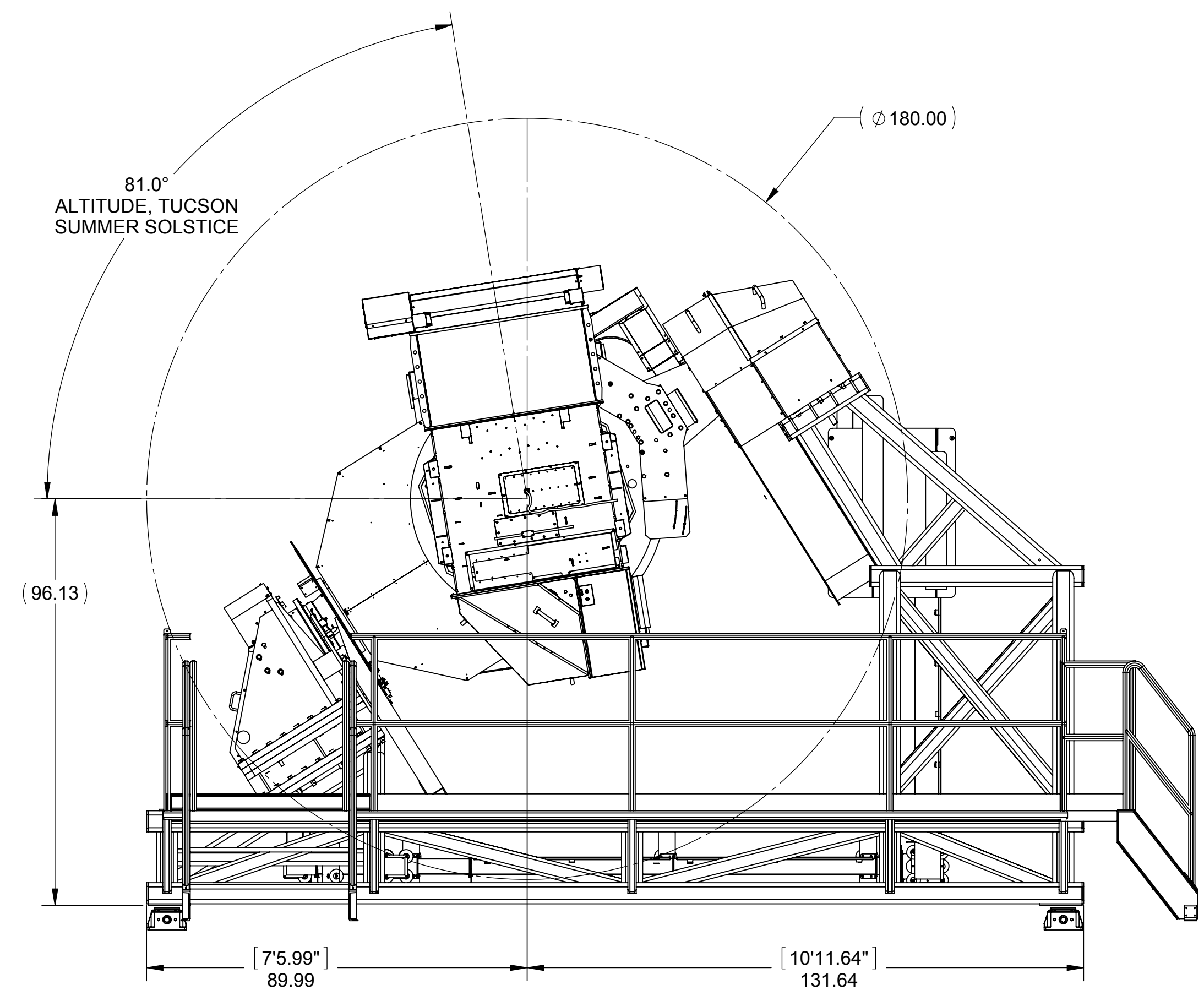
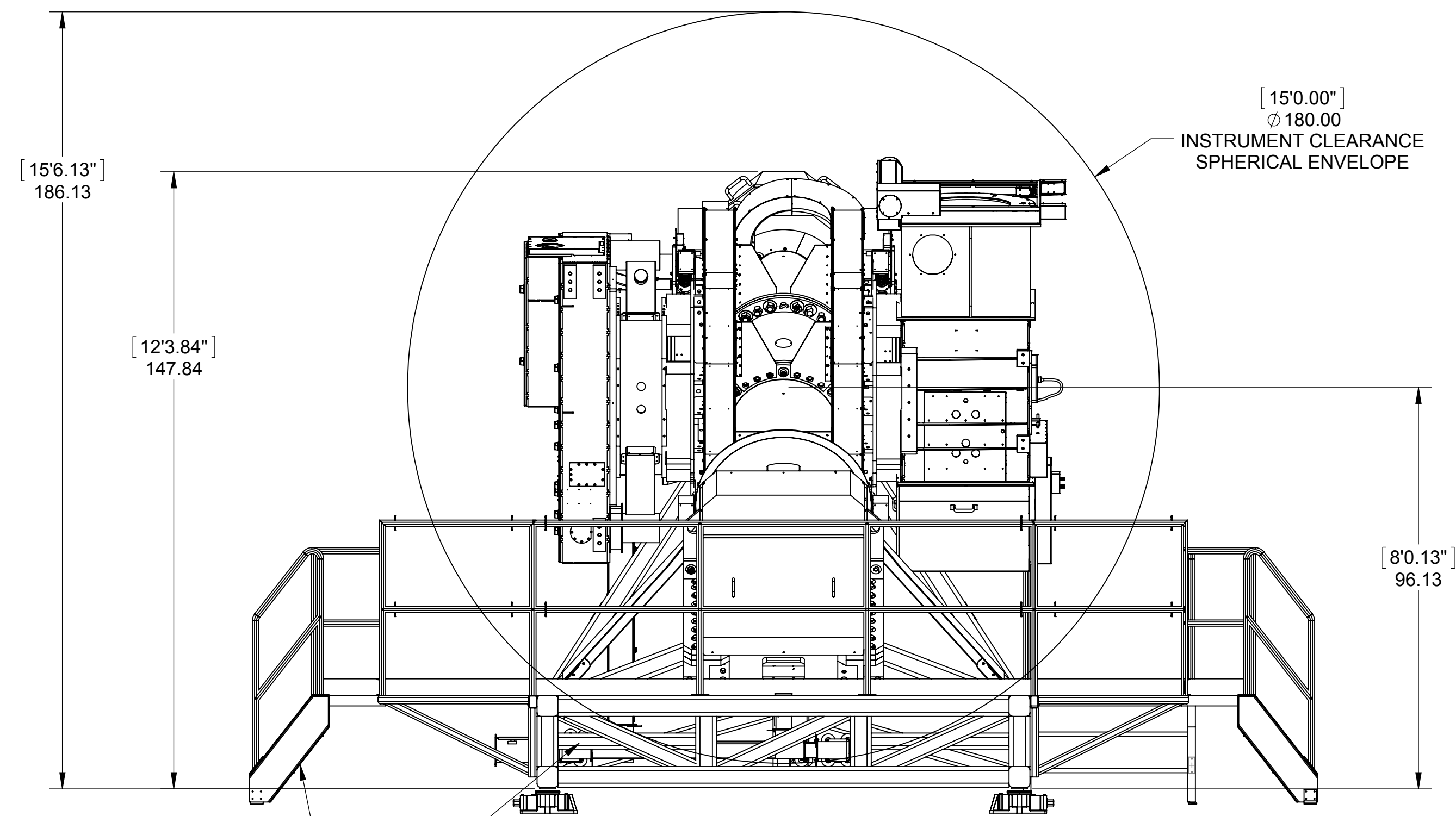
NATIONAL SOLAR OBSERVATORY
OPERATED BY THE ASSOCIATION OF UNIVERSITIES FOR
RESEARCH IN ASTRONOMY, INC. UNDER COOPERATIVE
AGREEMENT WITH NATIONAL SCIENCE FOUNDATION
WWW.NSO.EDU, WWW.NSF.GOV

ANGLE PROJECTION

TOLERANCES UNLESS IN INCHES OTHERWISE SPECIFIED
FRACTIONS = 1/32
ANGULAR = 0° 30'
DECIMALS = .XX ± .015
.XXX ± .005
XXXX ± .0020

NEXT ASSY: 4: USED ON: 3:	NEXT ASSY: 3: USED ON: 3:	NEXT ASSY: 2: USED ON: 2:	PROJECT: NISP MOBILE SHELTER
RELEASE APPROVAL:	RELEASE DATE:	DWG. NO. NISP.1000.XXXX	TITLE: NISP MOUNT ASSY (SOLIS)
DESIGNED BY:	CHECKED BY:	ECN #:	REV. A1
CAD SYSTEM: 2013 SOLIDWORKS RESEARCH / EDUCATIONAL		SIZE: D	WEIGHT: 148124.9#
		SCALE: 1:15	SHEET: 1 OF 2

D NISP.1000.XXXX A1



PROJECT: NISP MOBILE SHELTER

TITLE: NISP MOUNT ASSY (SOLIS)

DWG. NO. NISP.1000.XXXX

REV. A1

NATIONAL SOLAR OBSERVATORY
OPERATED BY THE ASSOCIATION OF UNIVERSITIES FOR
RESEARCH IN ASTRONOMY, INC. UNDER COOPERATIVE
AGREEMENT WITH NATIONAL SCIENCE FOUNDATION
WWW.AURA-ASTRONOMY.ORG WWW.NSF.GOV

PROPRIETARY AND CONFIDENTIAL
THE INFORMATION CONTAINED
HEREIN IS THE PROPERTY OF THE NATIONAL
SOLAR OBSERVATORY
AND IS LOANED TO YOU BY THE
NATIONAL SOLAR OBSERVATORY
IT IS NOT TO BE REPRODUCED OR
TRANSMITTED IN ANY FORM OR BY
ANY MEANS, ELECTRONIC OR
MECHANICAL, INCLUDING
PHOTOCOPYING, RECORDING,
OR BY ANY INFORMATION
STORAGE AND RETRIEVAL
SYSTEM, WITHOUT THE
WRITTEN PERMISSION OF THE
NATIONAL SOLAR OBSERVATORY
© 2005

ECN #:

NSO/NOAO
REF. FILE NO.:

SIZE: D WEIGHT: 148124.9 SCALE: 1:25 SHEET: 2 OF 2